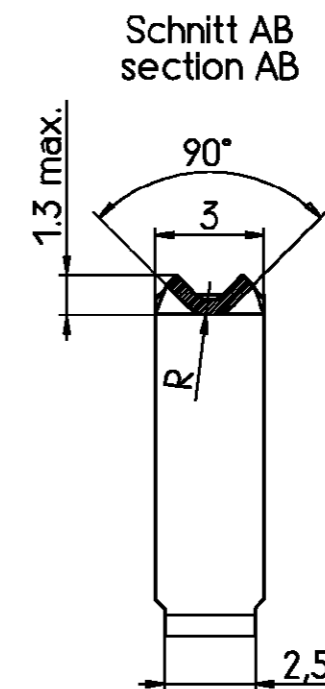
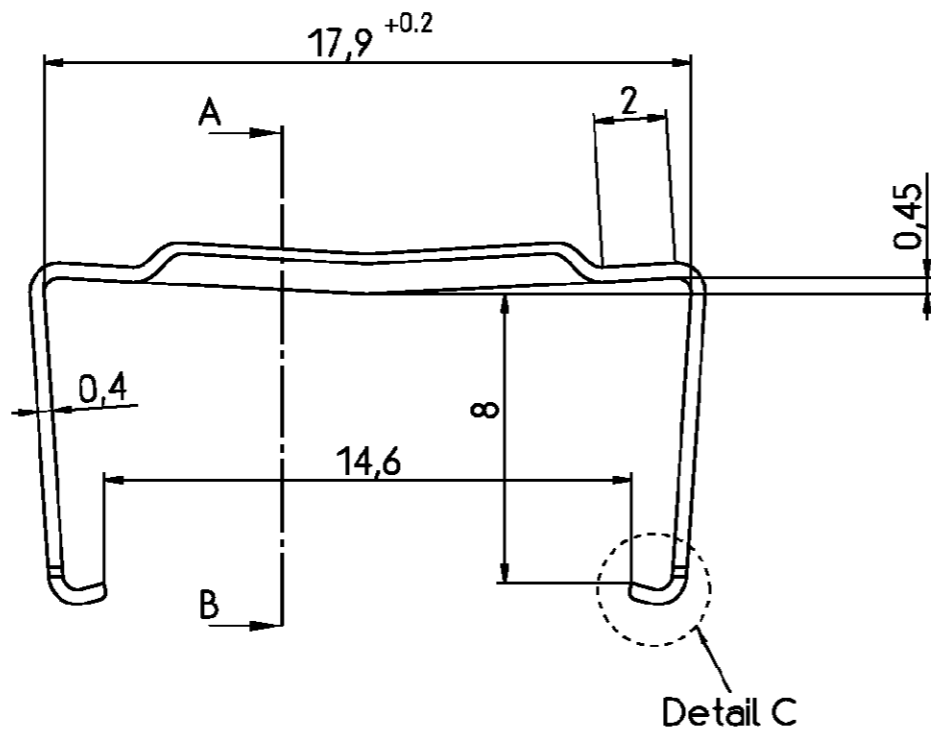
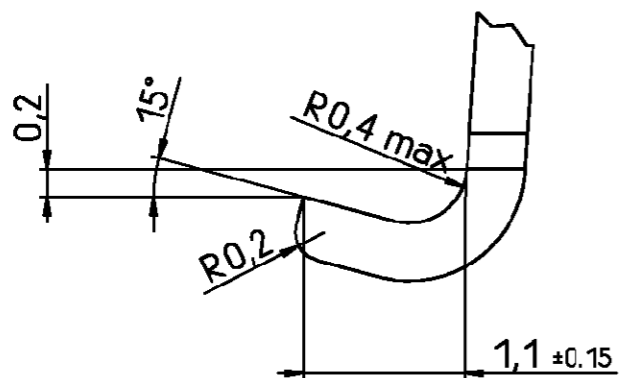


THIS INFORMATION IS CONFIDENTIAL AND PROPRIETARY TO TYCO ELECTRONICS CORPORATION AND ITS WORLDWIDE SUBSIDIARIES AND AFFILIATES. IT MAY NOT BE DISCLOSED TO ANYONE, OTHER THAN TYCO ELECTRONICS PERSONNEL, WITHOUT WRITTEN AUTHORIZATION FROM TYCO ELECTRONICS CORPORATION, HARRISBURG PENNSYLVANIA USA

PROPRIETARY:



Detail C (20:1)



tyco		TYCO ELECTRONICS CORPORATION		SCALE 5:1 (20:1)		WEIGHT	
Electronics		OOSTKAMP - BELGIUM		DIMENSIONS IN MM		MATERIAL	
		DATE 03.02.93		PART NAME		Bügel Sub-D Schneidklemmanschluß	
		NAME Sterckx		9 pol. Ausführung		Strain relief clamp D-Sub IDC	
		DEP. PE Com PE&SE		9-contacts version		PART NO.	
A WO00/7020		28 AUG 00 KV		TOLERANCE UNLESS SPECIFIED OTHERWISE ±0.2		V42254-A4000-D9-*-*27	
01		03.02.93 RST				SHT. 1+	
51		03.02.93 RST				OF 2	
REV. CHANGE ORDER		DATE APP.		Customer Drawing Nr. C 4-1393560-3			